

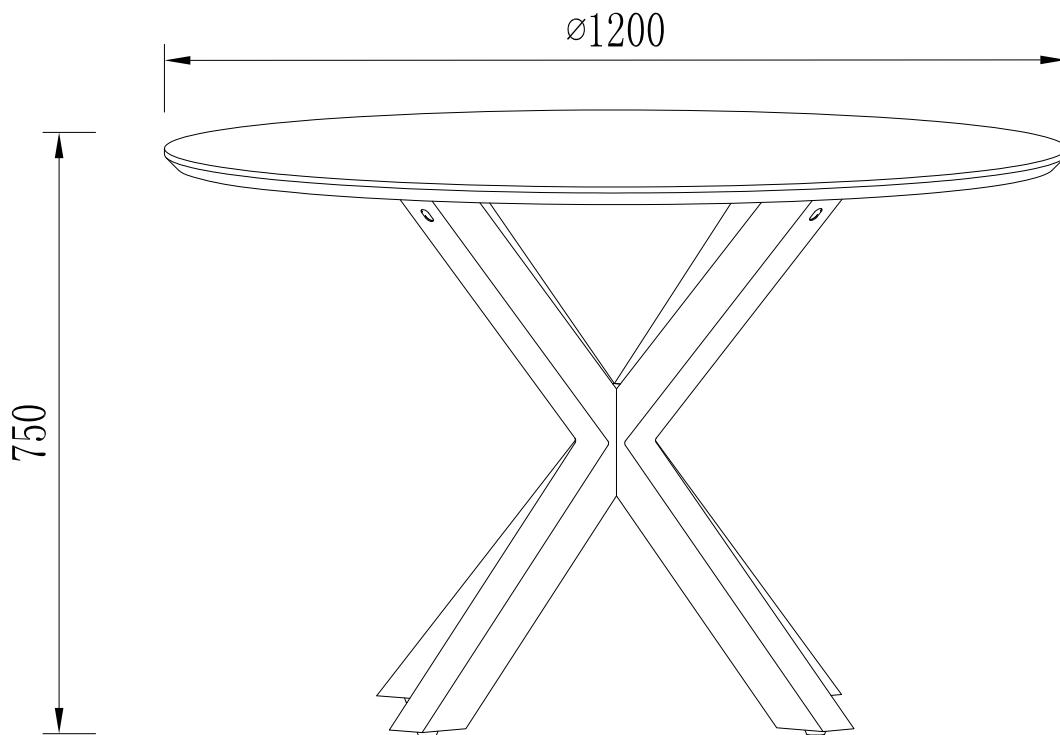


ASSEMBLY INSTRUCTION
ARABELLA ROUND DINING TABLE
ITEM CODE 75767

Imported by Amart Furniture Pty Ltd.Qld.Brisbane Australia.

For any assistance with assembly or for missing parts please phone

Amart Furniture, Customer Service Free call 1800 351 084



Imported by Amart Furniture Pty Ltd.Qld.Brisbane Australia.

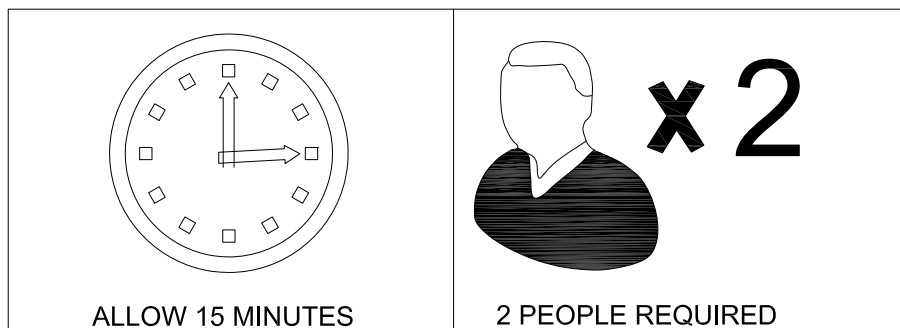
For any assistance with assembly or for missing parts please phone Amart Furniture
Customer Service Free call 1800 351 084

75767

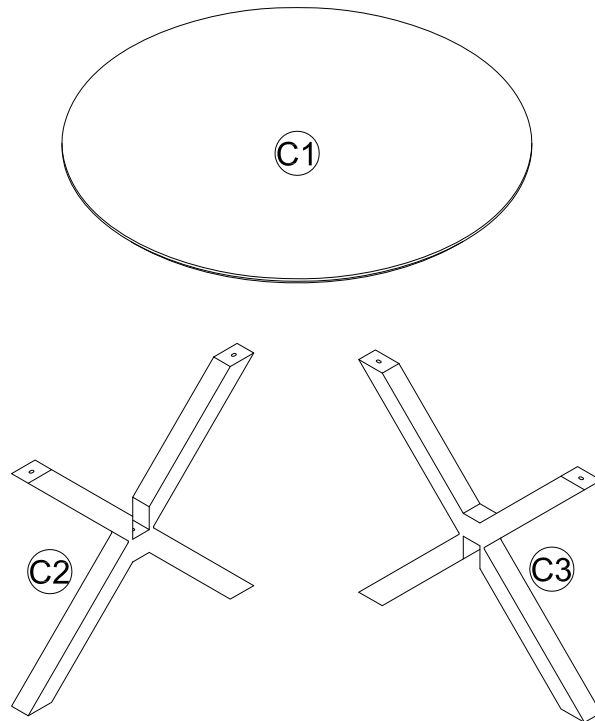
PRE-ASSEMBLY PREPARATION

Before you start:

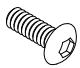
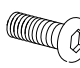


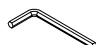
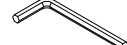
1. Choose a clean, level, spacious assembly area. Avoid hard surfaces that may damage the product
2. Take care when lifting. Product should be assembled as near as possible to the point of use
3. Ensure that you have all required contents for complete assembly.
4. Always read the assembly instructions carefully before beginning assembly.
5. Keep all hardware parts and packaging out of reach of small children.
6. Do not over tighten the screws and bolts as this may damage the threads



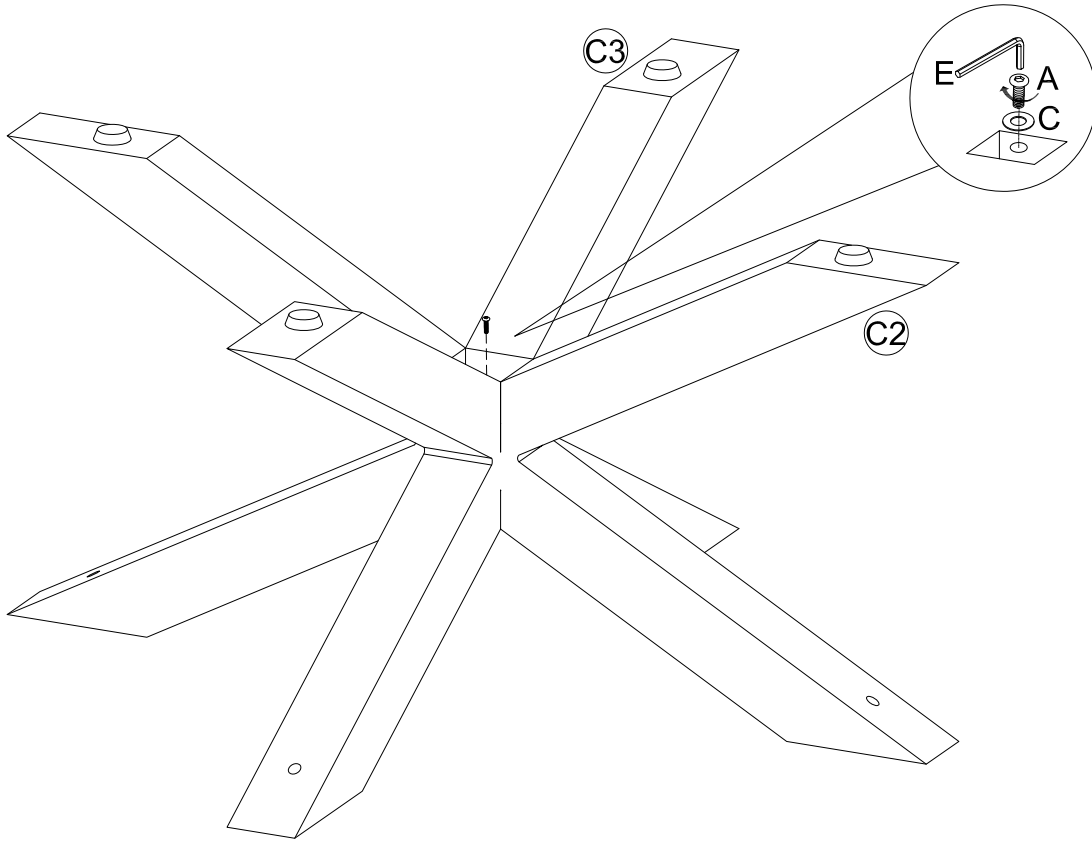
PARTS LIST



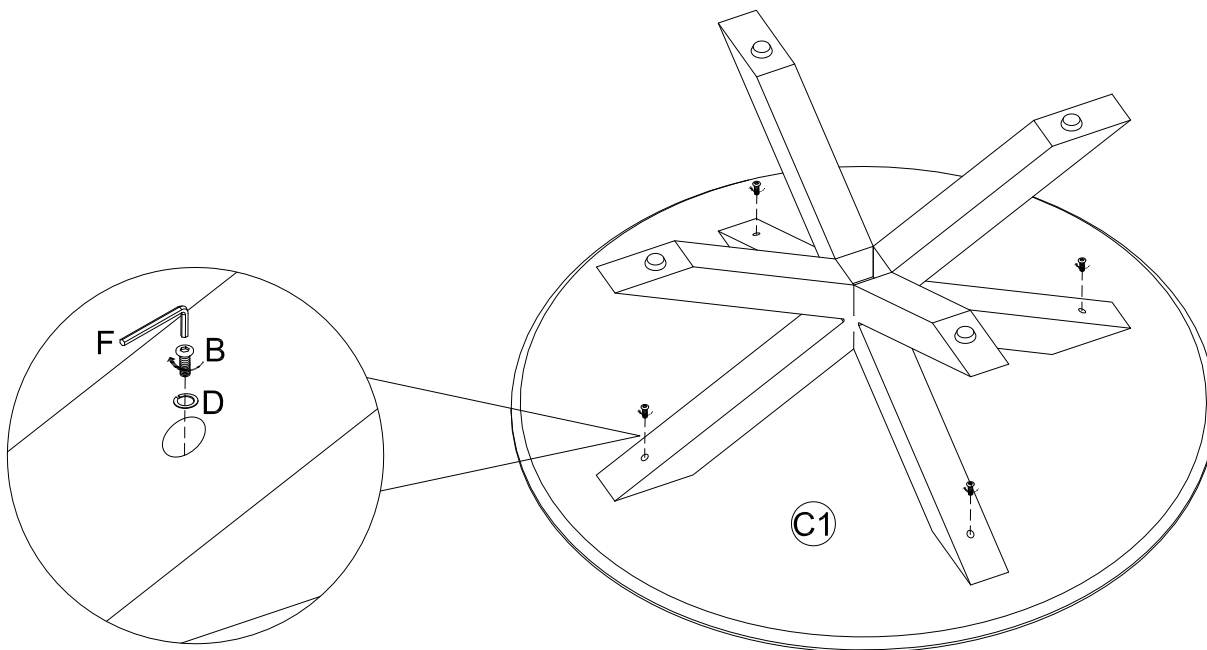
C1	Top Panel
C2	Leg
C3	Leg

A.Bolt M6x60  1PCE	B.Bolt M8x45  4PCS	C.Washer  1PCE	D.Washer  4PCS	E.Hex key M4  1PCE	F.Hex key M5  1PCE
---	---	---	---	--	---

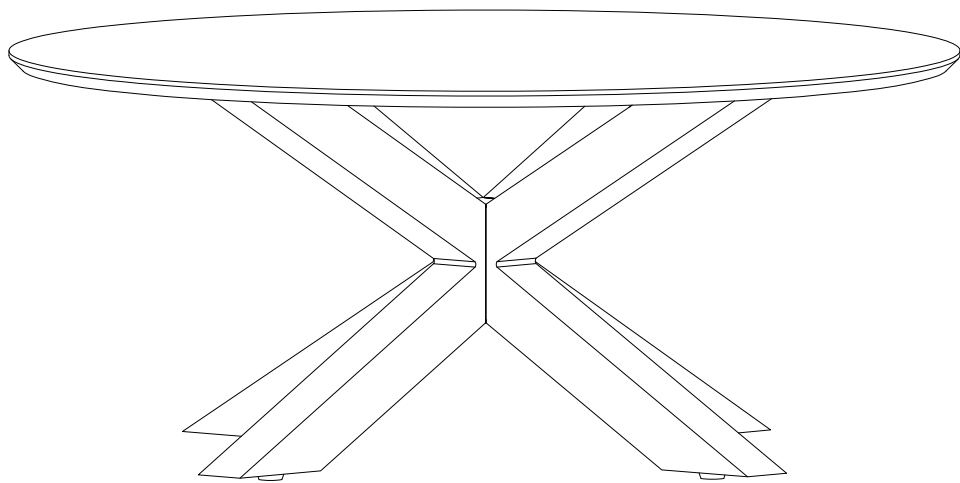
STEP 1: Use the Hex Key(E) to tighten the Leg(C2) to the Leg(C3)with Bolt(A)and Washer(C).



STEP 2: Use the Hex Key (F) to tighten the Leg(C2,C3)to the Top Panel(C1) with Bolt(B) and Washer(D).



Assembly is complete



PRODUCT CARE:

To protect your furniture, we suggest the following:

- Avoid placing your furniture in direct sunlight.
- Do not place furniture directly under windows.
- Do not place sharp materials (knife, fork, etc.) directly onto your furniture as sharp material may scrape and damage the finish.
- Do not place material with high temperature directly onto the surface of your furniture.
- Clean up spills quickly. Water left over a prolonged period of time may cause damage. Alcohol, perfume, nail polishes, aftershave and some medication may cause severe finish damage if not cleaned immediately.
- Use a clean, soft, dry, lint free absorbent cloth to clean your furniture. Do not use any detergent as they may contain ingredients that may react and damage the finish.
- NOTE: If the above care advise is not adhered to your product warranty may become void